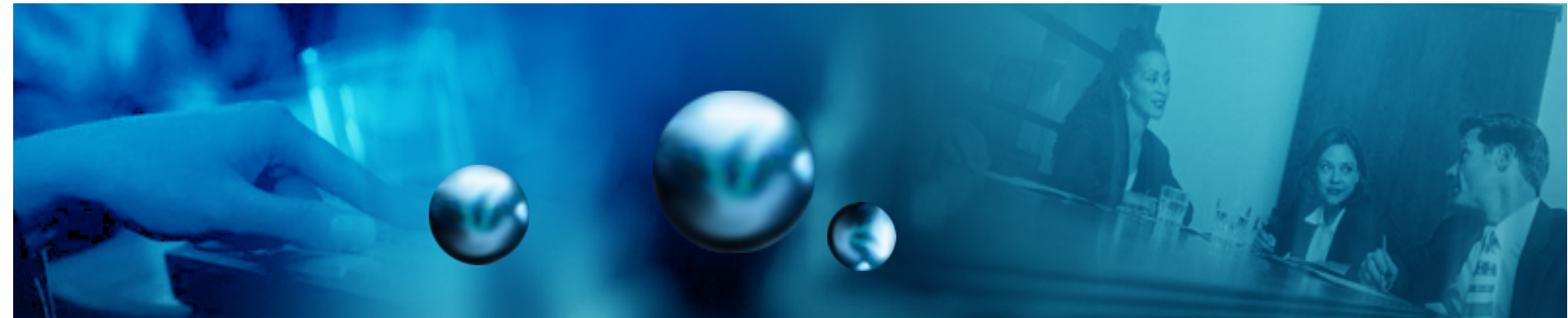


# MetaliCom LLC Group Presentation 2020





# MetaliCom LLC.

MetaliCom LLC, an ISO 9001-2015 Certified, is a leading Design, Manufacturing, Integration, Testing and Representation Company for Custom Made Hardware, Electronics and Mechanical Products designed for Security, Defense and Military applications.

We have more than 20 years of experience in Turn-Key projects, Rugged equipment as per MIL-STD 810F-G and integration of various Thin Client/MicroPC, Cabinets/Sub Racks, Metal Parts, Aluminum Die Casting, CNC Machining Parts, Cable/PCB Assemblies, Networking, Connectors ,Cable Assemblies Products, and Special Military Tactical Outdoor Cables on Reels.

MetaliCom is a Major Sub Contractor for FMF- Foreign Military Financing Projects, Specializing in Homeland Security, Defense and Military Projects and registered with the U.S Federal Government CCR- Central Contractor Registration; Our Cage Code # is 56P21, and DUNS # 80-746-7373.

We have the knowhow to Redesign and Reverse Engineering on running projects and the Resources to trace "Hard to Find" and Obsolete parts.

Our expertise in learning customer's needs & fitting the suitable engineering solution would insure Customer's Satisfaction in Service, Quality & Cost Effectiveness.

MetaliCom LLC provides its customers with superior quality of services accommodating with their needs from the **Initial Concept to Project Completion.**



# Quality

**MetaliCom LLC is an  
ISO 9001:2015 Certified Company**

- **CAGE CODE # 56P21**
- **DUNS # 80-746-7373**

**The Design, Manufacture Integration  
and Testing of Custom Made Defense,  
Military, Security and Civilian  
Hardware, Electronic and Mechanical  
Products.**

Certificate US09/74132  
The management system of  
**MetaliCom LLC**  
1 Industrial Way West, Building-E, Suite-K  
Eatontown, NJ 07724, United States

has been assessed and certified as meeting the requirements of  
**ISO 9001:2015**

For the following activities:  
**The Design, Manufacture, Integration, and Testing of custom-made  
Defense, Military, Security and civilian hardware, electronic  
and mechanical products.**

Further clarifications regarding the scope of this certificate and the applicability of  
ISO 9001:2015 requirements may be obtained by consulting the organization.

This certificate is valid from 15 September 2018 until 2 October 2021  
and remains valid subject to satisfactory surveillance audits.  
Recertification audit due a minimum of 60 days before the expiration date.  
Issue 9: 13 September 2018. Certified since June 2009.

The audit leading to this certificate commenced on 05/07/2018.  
Previous issue certificate validity date was until 15/09/2018.

Authorized by:  
  
Ralph McLouth  
Vice President of Accreditation, North America  
SGS North America, Inc.  
201 Route 17 North, Rutherford, NJ 07070, USA  
t (201) 908-3000 f (201) 935-4555 [www.us.sgs.com](http://www.us.sgs.com)

This certificate remains the property of SGS and shall be returned upon request

Page 1 of 1

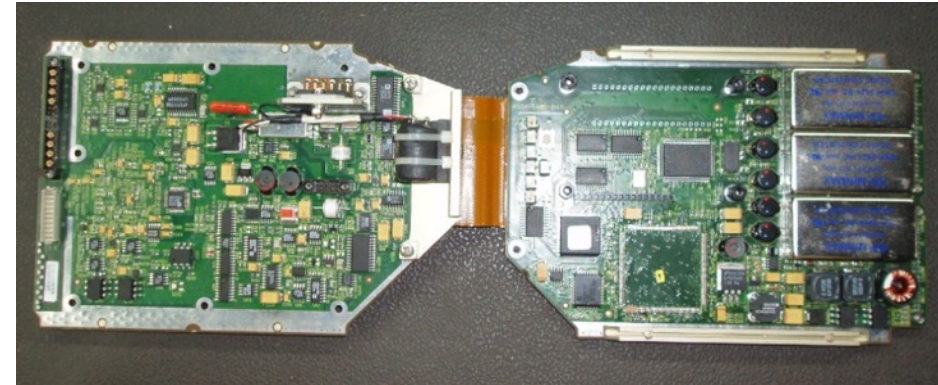
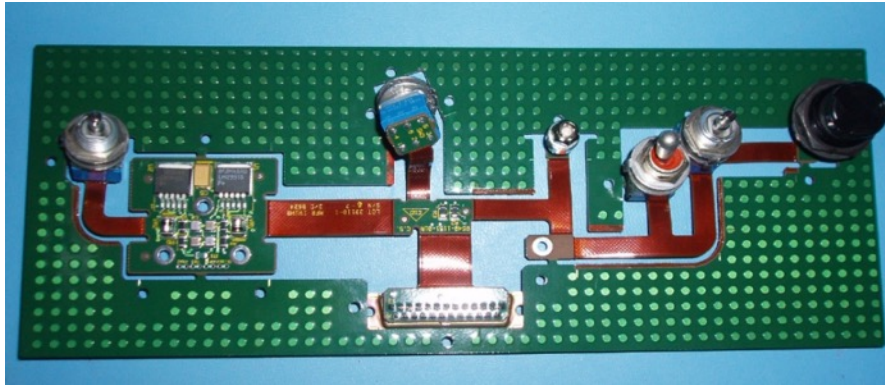
This document is issued by the Company subject to its General Conditions of Certification Services  
accessible at [www.sgs.com/terms\\_and\\_conditions.htm](http://www.sgs.com/terms_and_conditions.htm). Attention is drawn to the limitations of  
liability, indemnification and jurisdictional issues stipulated therein. The authenticity of this  
document may be verified at <http://www.sgs.com/verified-clients-and-products/verified-client-directory>. Any unauthorised alteration, forgery or falsification of the content or appearance of this  
document is unlawful and offenders may be prosecuted to the fullest extent of the law.



# Military, Security & COTS Major 2006 Turn-Key FMF Projects.

## PCB Assemblies for ELOP - Elbit Systems Merkava Mark IV Tank

- Fully Assembled and Tested in Eatontown NJ under FMF Project..
- 24 Different Multi layers Double side PCBs.
- Rigged; Flex and Rigged/Flex complex boards.
- BGA, Fine Pitch SMT & Through Hole technologies.
- Special cleaning process- RMA Flux.
- Written Quality Procedures/Manual in English & Hebrew.



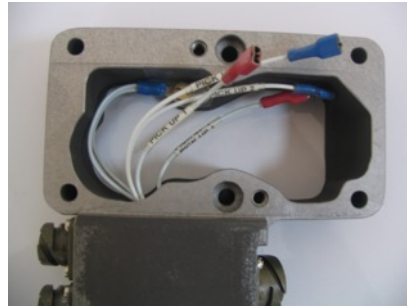
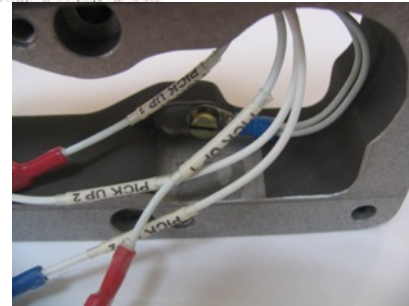
Flex/Rigged Boards.



# Military, Security & COTS Major Turn-Key FMF Projects.

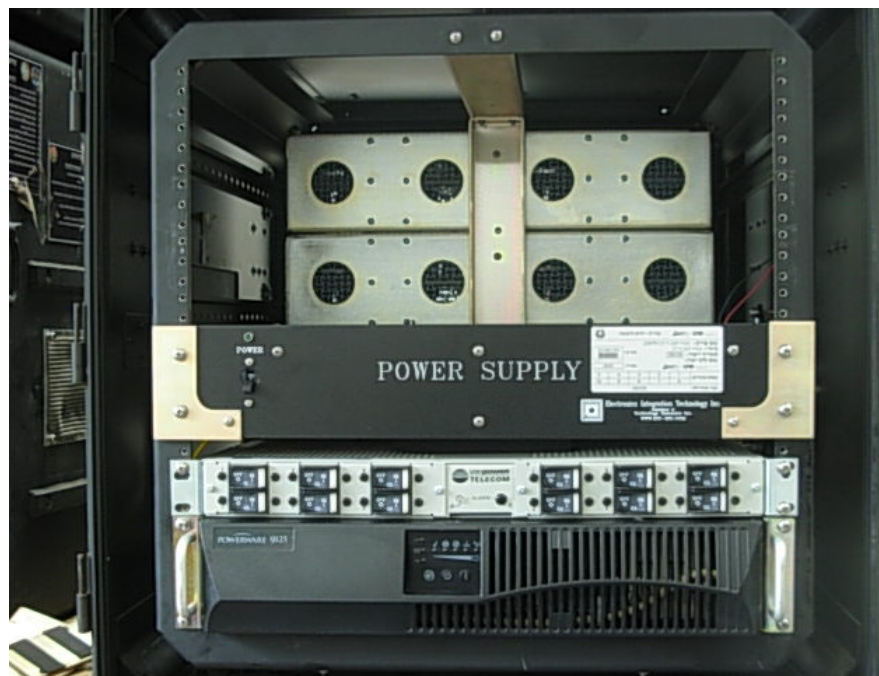
## NAMER APC - Armored Personnel Carrier 2008-2012

### Engineering and Procurement of Electric I & II Kits

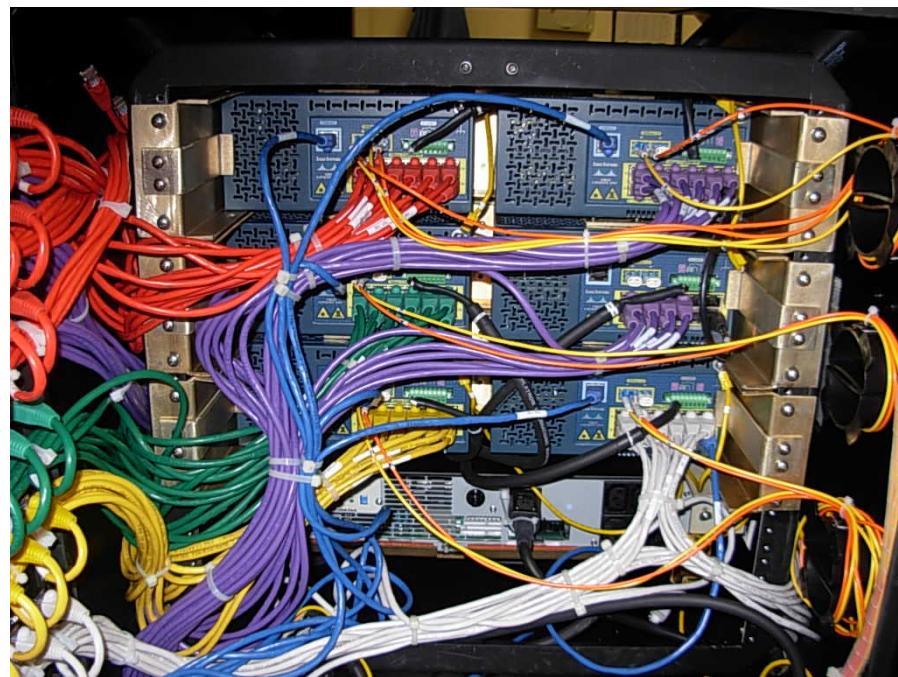


## Military, Army 2008 Major Turn-Key FMF Projects.

- Production and Assembly for the IDF- Israeli Defense Forces.
- Fully Integrated Copper & Fiber Optic Communication Cabinets.
- Ruggedized as per MIL STD 810F Method 504.
- CAT6 Networking Technology.
- EB (Extended Beam) Fiber Optic Technology.



10U Cabinet's Rear Side



10U Cabinet's Front Side



# Military, Air Force Major Turn-Key 2017 FMF Projects.





# Military, Navy Major Turn-Key 2018 FMF Projects.







# Military, Army Major Turn-Key 2018 FMF Projects.

## IAI-RAFAEL Molded Sealed Military Cable Assemblies Merkava Mark IV Tank





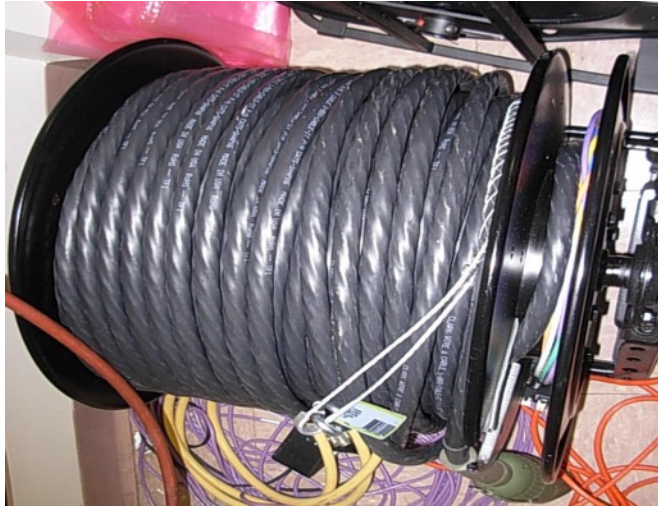
## Military, Army Major Turn-Key FMF Projects.

### Elbit Systems 'DAP' - Digital Army Program

- Production and Assembly for the IDF- Israeli Defense Forces.
- We supplied the LCD Monitors, Hebrew English Keyboards and built all Male/Male and Male/Female CAT7 LAN Cable assembles for this Project.



# Military, Security & COTS - Major Turn-Key FMF Projects.



Outdoor Reel/Cable Assemblies



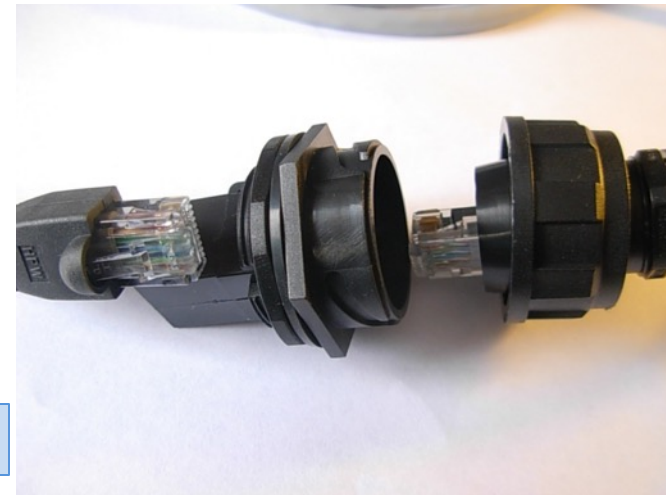
300M Tactical Outdoor Fiber Optic Cable

35M & 100M Tactical CAT6 LAN Outdoor Cable

# Cable Assemblies for Indoor & Outdoor Applications.



Power & Data Cables



IP67 RJ45 Cable



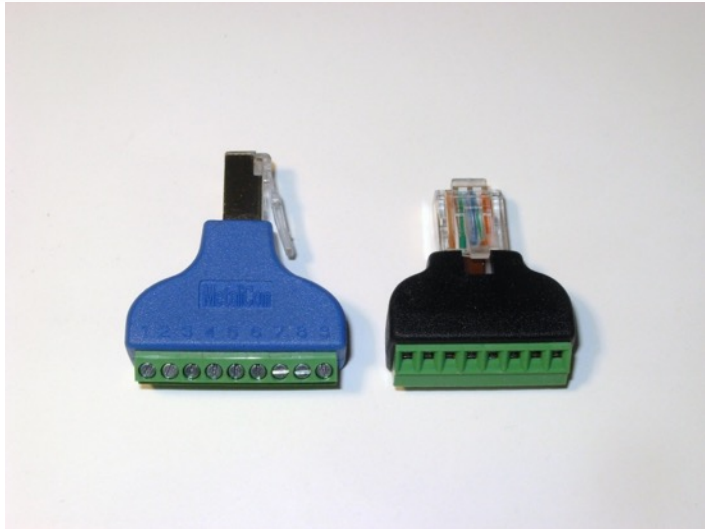
ETH MIL STD Cable



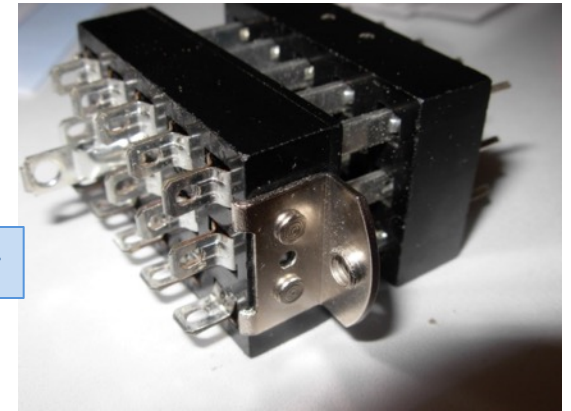
Molded IP67 USB Outdoor Cable



# Custom Made Adapters & Connectors.



RJ45 to T/B



10A Power Connector



BNC Solder Type



DB25 to DB25

# Networking Panels, Couplers & Keystones.



1U Patch Panels



Insert W/Couplers



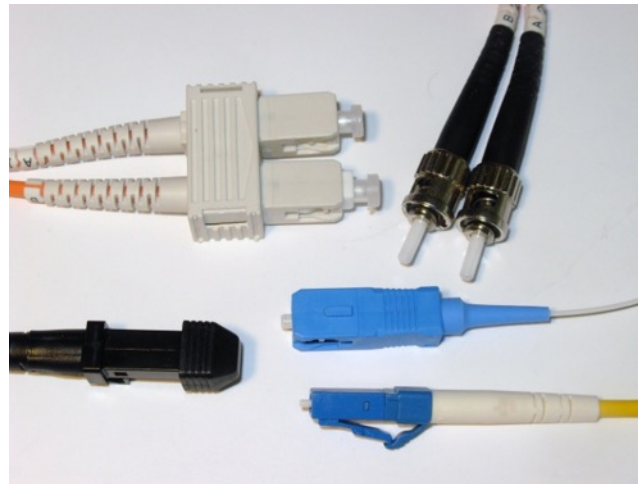
Fiber Optic Inserts



# Fiber Optic Products



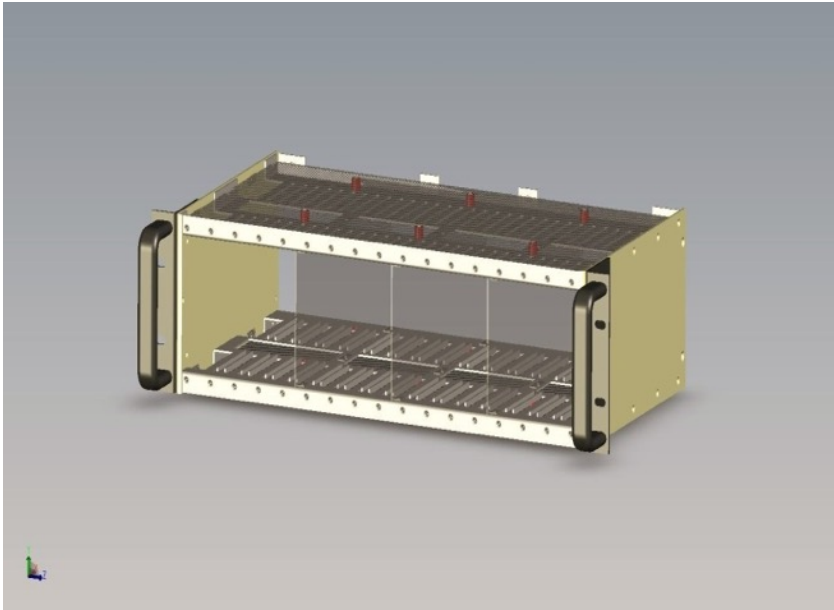
Fiber Optic  
Attenuators,  
Adapters,  
Connectors,  
Patch cords





# Custom Sub-Racks

21 Slots 3U Sub-Rack



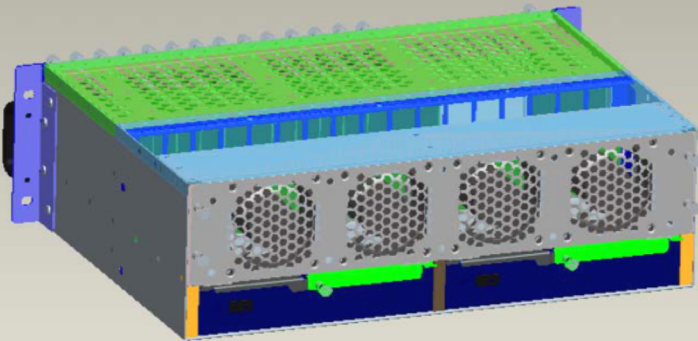
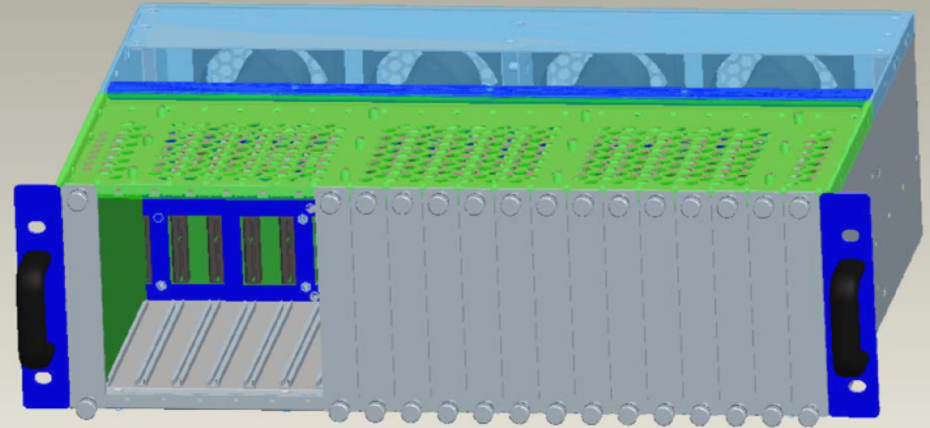
16 Slots +2 Power Supplies





# Custom Sub-Racks

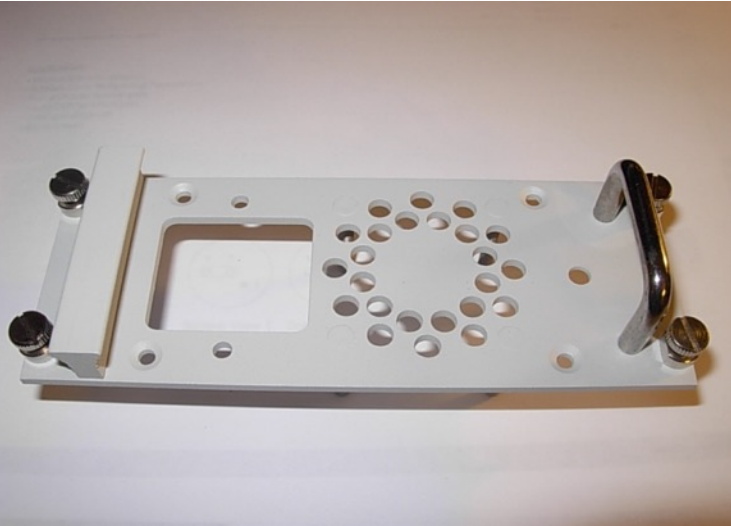
21 Slots 3U Sub-Rack



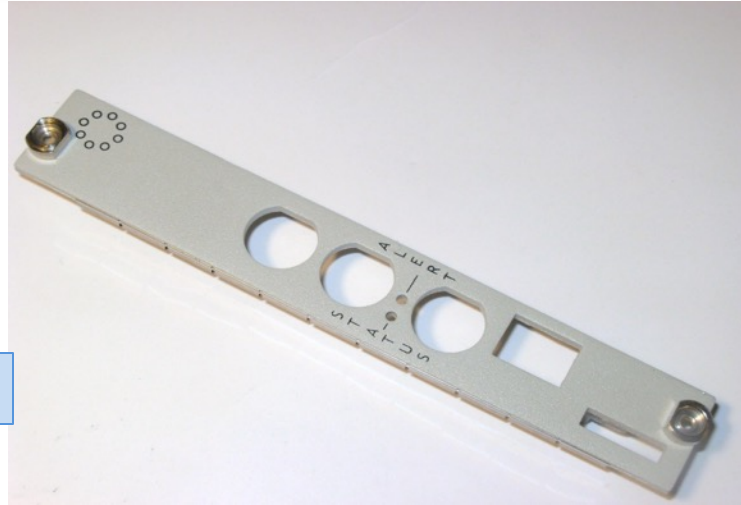


# Custom Made Front Panels

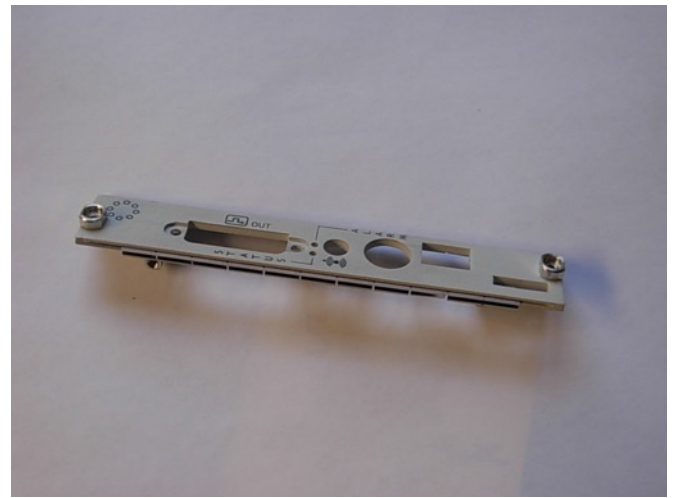
2 Slots Front Panel



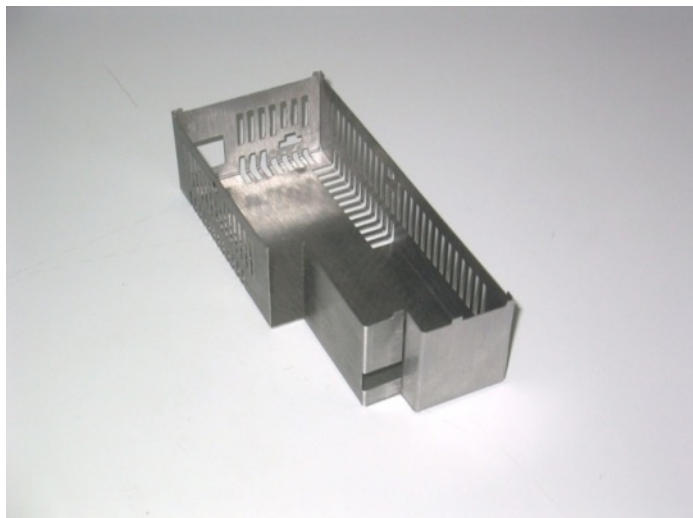
1 Slot Front Panel



EMI Gasket



# CNC Machining and Stamping Metal Boxes.



Metal Stamping



CNC Parts



Thank You

# Thank You.

MetaliCom LLC

1 Industrial Way West, Bldg-E, Suite-K, Eatontown New Jersey 07724 USA

[www.MetaliCom.com](http://www.MetaliCom.com)

Tel: 732 918 8221

Fax: 732 918 8331

Cell: 718 909 4093

